



Tuff Head Gate Assist

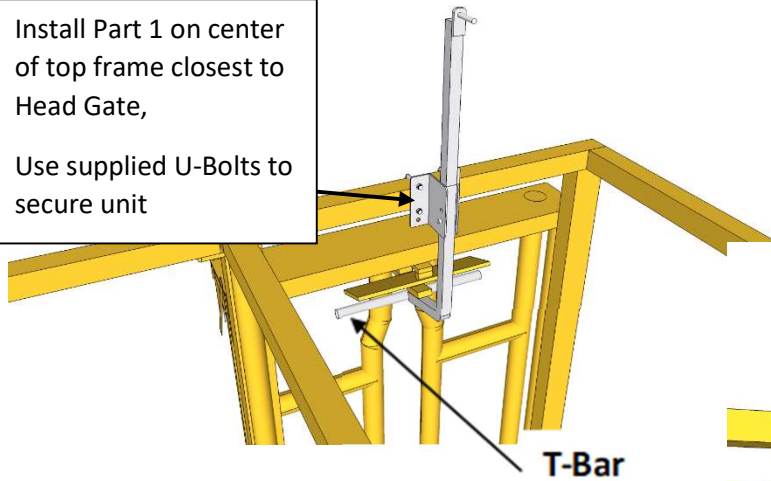
For Tuff Maternity Pen

The following instructions are for the installation of a TUFF Head Gate Assist on TUFF Maternity Pens using Headgates HG2 and HG4. HG4 will also require the T-Bar to be trimmed 3" off of each side prior to installation.

HG Assist Part 1

Install Part 1 on center of top frame closest to Head Gate,

Use supplied U-Bolts to secure unit

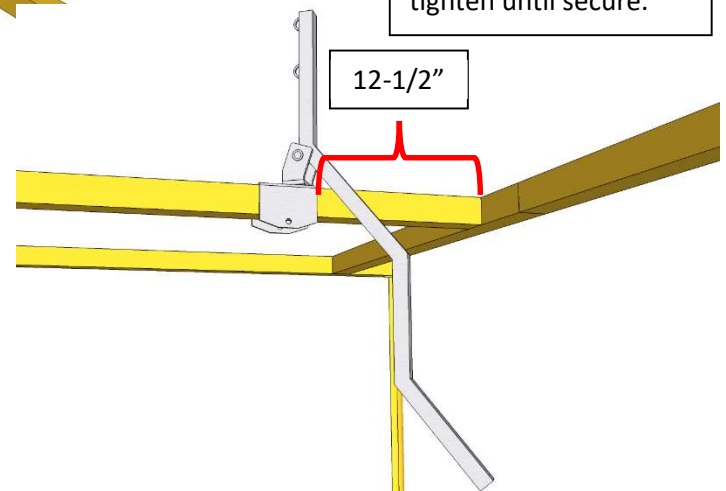


T-Bar

HG Assist Part 2

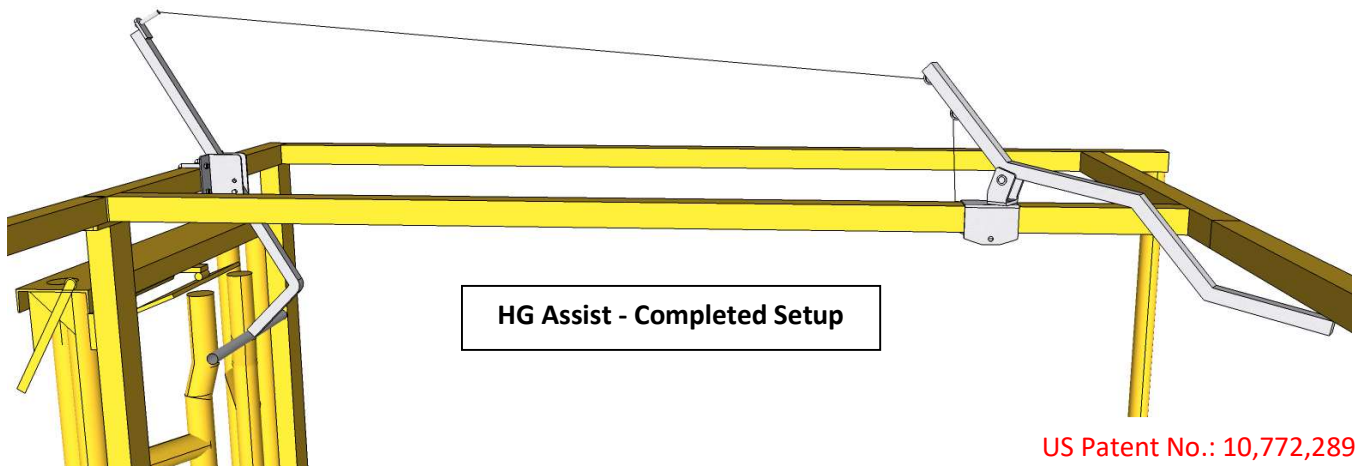
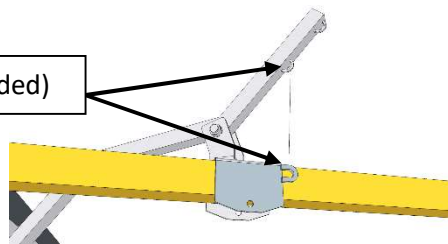
Install Part 2 on top of frame cross member (12 1/2" from back of frame as shown)

Use supplied bolt, tighten until secure.



12-1/2"

Attach spring here (included)



HG Assist - Completed Setup

US Patent No.: 10,772,289 B2
Canadian Paten No.: 2,986,987