



Tuff Head Gate Assist

For Tuff Squeeze Chute

Instructions to install the TUFF Head Gate Assist on all TUFF Squeeze Chutes.

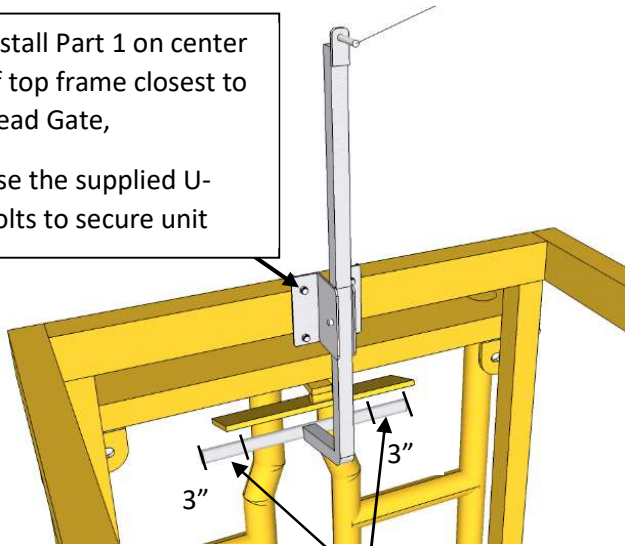
HG1 and HG2 Headgates: No modifications required.

*HG3 and HG4: Cut 3" of each side of T-Bar prior to install.

Step 1

Install Part 1 on center of top frame closest to Head Gate,

Use the supplied U-Bolts to secure unit

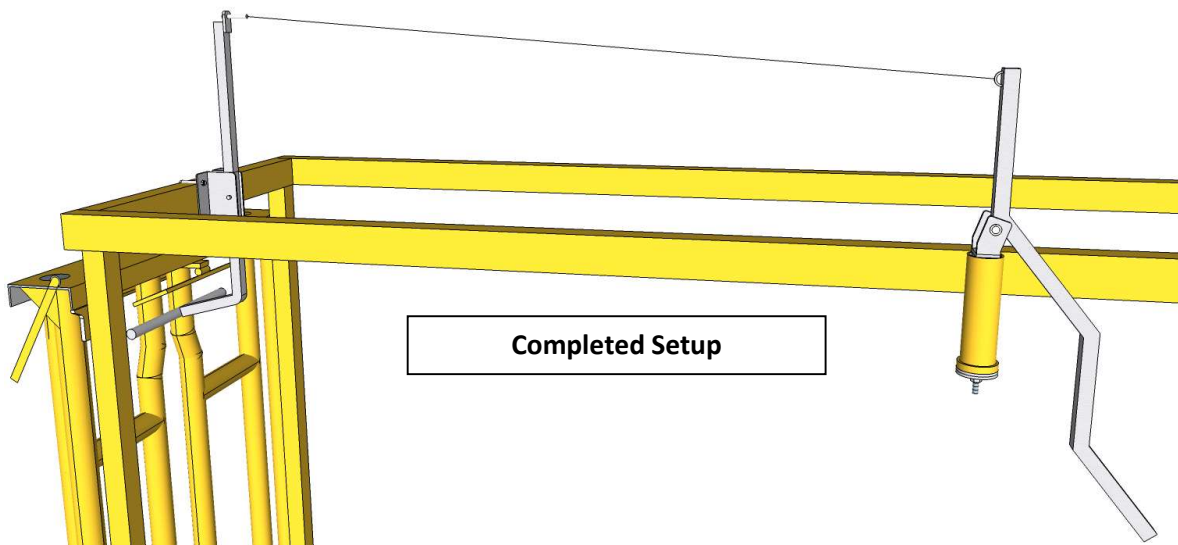
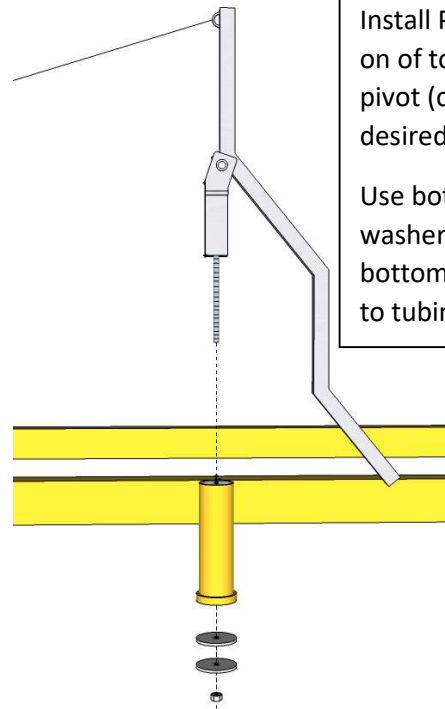


*Trim T-Bar (HG3 & HG4)

Step 2

Install Part 2 as shown on of top frame rear pivot (choose side as desired).

Use both supplied washer plates at bottom, to secure unit to tubing



Completed Setup

see over 

US Patent No.: 10,772,289 B2
Canadian Paten No.: 2,986,987



Tuff Head Gate Remote Open

Instructions to install the TUFF Head Gate "Remote Open" on all TUFF Squeeze Chutes.

What's in the box?

- "Remote Open" Bracket
- Fasteners
- White Pull Rope



Step 1:

Mount "Remote-Open" Bracket with fasteners provided, to the Head Gate Operating Handle as shown.



Step 2:

Run the rope along the top of the squeeze chute frame, in the hooks shown here. The loop can be hung on the last hook as shown but is at the operator's discretion.



Head Gate
Operator Handle

see over ↪